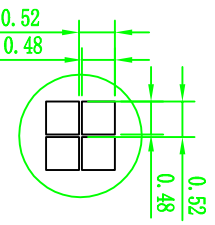
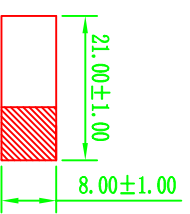
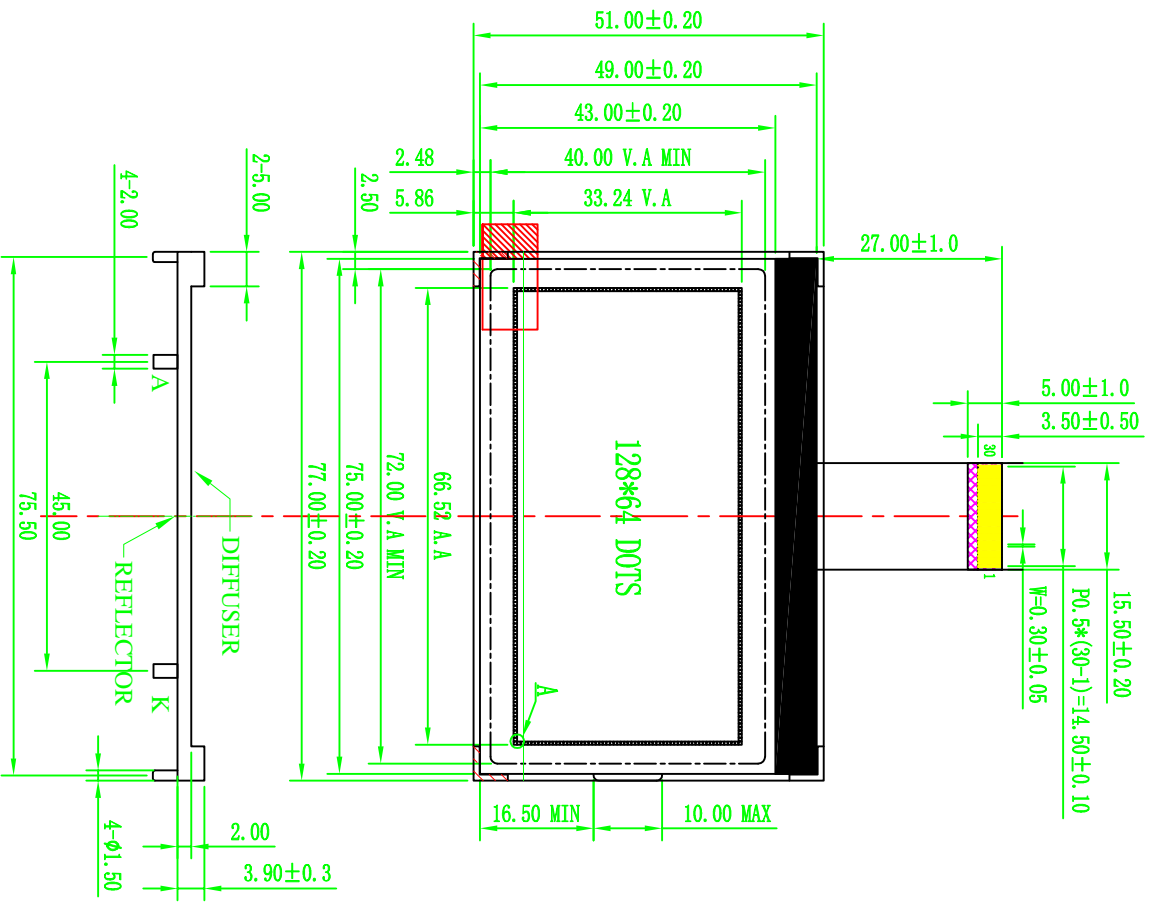
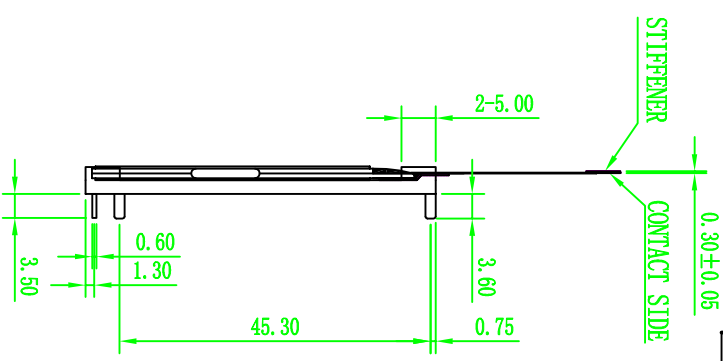
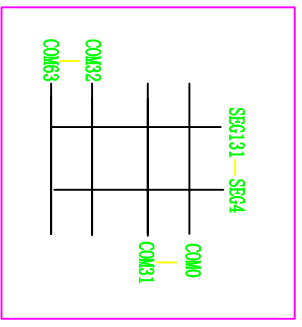


REV	REVISION RECORD	DATE
△	修改屏颜色, FPC长度, 电压	2013-07-18

FUNCTION TABLE



CONFIRM ALL TYPE DRAWINGS OF THIS AND PASS BACK!

OPERATING VOLTAGE: 3.3V	OPERATING CURRENT: 2.0mA MAX
DISPLAY TYPE: PSIN POSITIVE	POLARIZER MODE: TRANSPARENT
LCD DRIVE METHOD: 1/65DUTY 1/9BIAS 10.6V	VIEW DIRECTION: 12:00 0'CLOCK
LCD CONTROLLER: ST7566R	BACK LIGHT: -
OPERATING TEMPERATURE: -20°C TO 70°C	STORAGE TEMPERATURE: -30°C TO 80°C
DEFAULT TOLERANCE: ±0.3	ROHS STANDARD: YES

WAYING WAYING (HONGKONG) SHARES LIMITED		TITLE	模块外形图	CUSTOMER NUMBER	-	REV	A
DES'D BY	刘琪	DES'D BY	刘琪	PRODUCT MODEL	WYM12864K40G	UNIT	mm
CHK'D BY		CHK'D BY		SERIAL NUMBER	-	DATE	2014-02-26
APPROVED		APPROVED		SCALE	1:1	NO.	1/1

