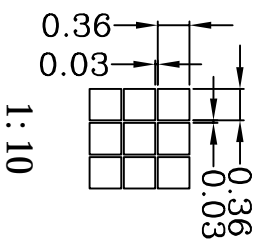
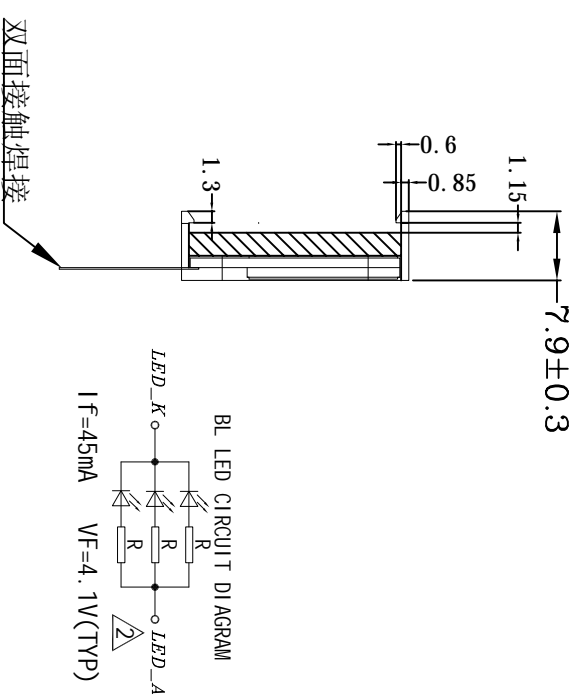
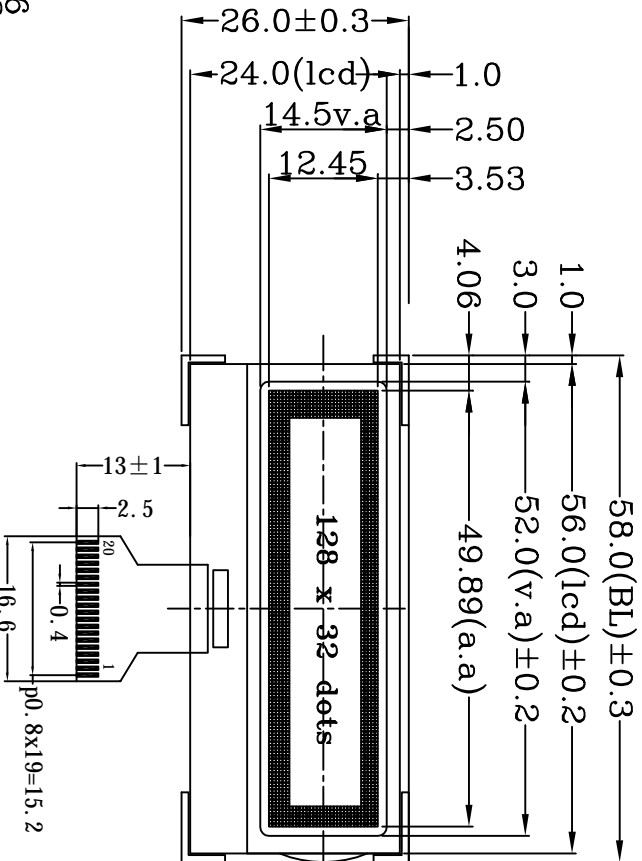


REV	REVISION RECORD	DATE
1	ACCORDING TO CUSTOMER'S SPEC	2013-11-22
2	ADD ONE LED	2013-12-02
3	Modify the tolerance PGB instead of blue	2014-06-15



NO.	20	19	18	17	16	15	14	13	12	11	10
PIN	NC	V0	V1	V2	V3	V4	C4P	C2N	C2P	C1P	C1N
NO.	9	8	7	6	5	4	3	2	1		
PIN	C3P	VOUT	VSS	VDD	SI	SCL	A0	RST	CSB		

CONFIRM ALL TYPE DRAWINGS OF THIS AND PASS BACK!

OPERATING VOLTAGE: 3.3V	OPERATING CURRENT: 2mA MAX	TITLE	模块外形图	CUSTOMER NUMBER	REV	A
DISPLAY TYPE: STN BLUE NEGATIVE	POLARIZER MODE: TRANSMISSIVE	DES' D BY	Li Xiang	PRODUCT MODEL	UNIT	mm
LCD DRIVE METHOD: 1/3DUTY 1/6BIAS 8.5V	VIEW DIRECTION: 6 O'CLOCK	CHK' D BY	Zhou Wentong	WYVM12232K5G	DATE	2014-06-15
LCD CONTROLLER: ST7566R-G	BACK LIGHT: WHITE VF=4.1V IF≤45mA	APPROVED	Meng Fanyu	SCALE	NO.	1/1
OPERATING TEMPERATURE: -20°C TO 70°C	STORAGE TEMPERATURE: -30°C TO 80°C					
DEFAULT TOLERANCE: ±0.3	ROHS STANDARD: YES					

FORMAT(6)