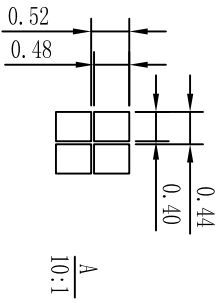
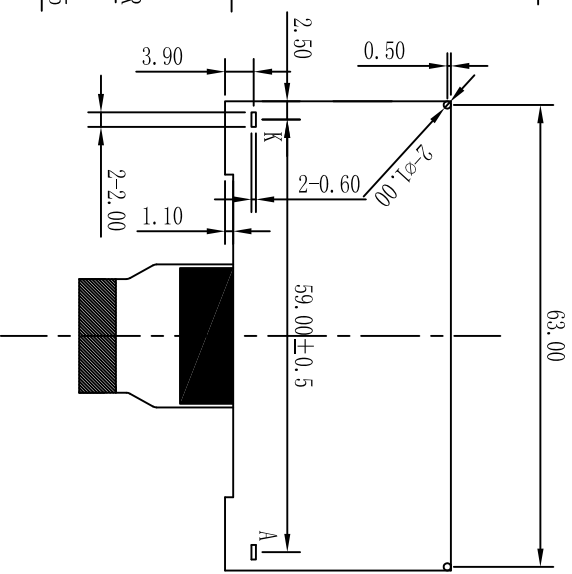
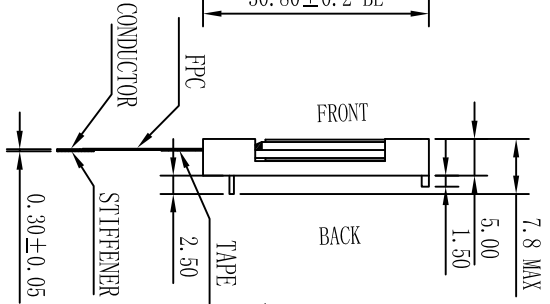
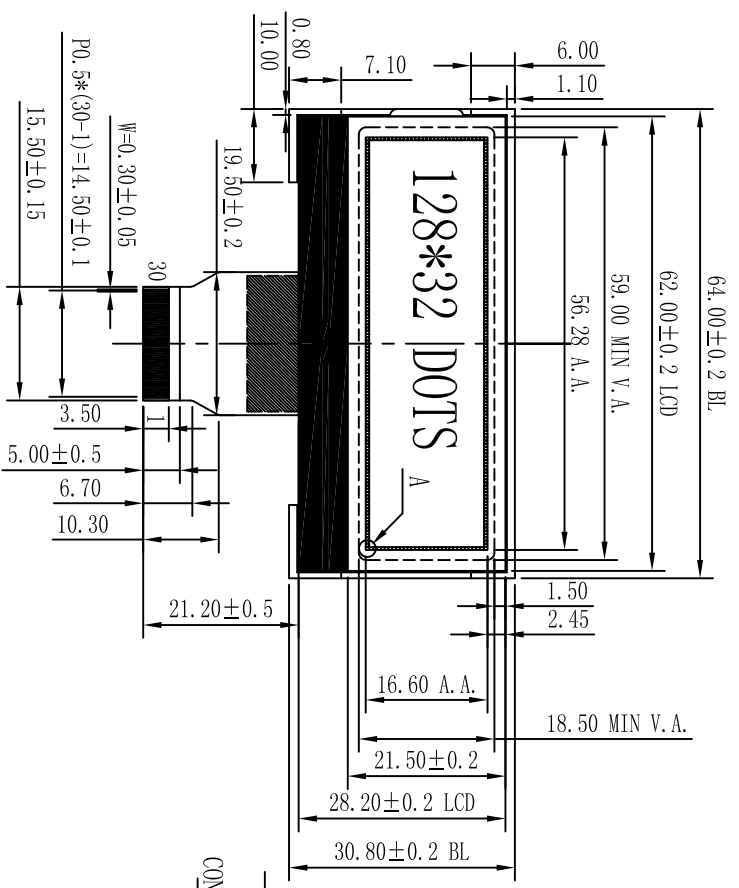


REV	REVISION RECORD	DATE
△	ACCORDING TO CUSTOM' S SPEC	2010-10-29



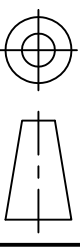
FUNCTION TABLE

COM15	COM63
COM0	COM48
SEGO	SEG127

CONFIRM ALL TYPE DRAWINGS OF THIS AND PASS BACK!

OPERATING VOLTAGE: 3.3V	OPERATING CURRENT: 2.0mA MAX (EXPT BL.)
DISPLAY TYPE: FSM	POLARIZER MODE: TRANSPARENT
LCD DRIVE METHOD: 1/32DUTY 1/8BIAS 6.1V	VIEW DIRECTION: 6:00 O'CLOCK
LCD CONTROLLER: SPLG502B	BACK LIGHT: WHITE 4LED 60mA
OPERATING TEMPERATURE: -20°C TO 70°C	STORAGE TEMPERATURE: -30°C TO 80°C
DEFAULT TOLERANCE: ±0.3	ROHS STANDARD: YES

30	PS
29	C86
28	V0
27	V4
26	V3
25	V2
24	V1
23	CAP4P
22	CAP2N
21	CAP2P
20	CAP1P
19	CAP1N
18	CAT3P
17	CAP5P
16	VOUT
15	VSS
14	VDD
13	DB7 (S1)
12	DB6 (SCL)
11	DB5
10	DB4
9	DB3
8	DB2
7	DB1
6	DB0
5	EP/RD
4	WRP/WR
3	AOP
2	/RES
1	/CS1



TITLE	CUSTOMER NUMBER	REV
模块外形图	-	A
DES' D BY	零件	UNIT
CHK' D BY	PRODUCT MODEL	DATE
APPROVED	SERIAL NUMBER	NO.
	SCALE	1:1
		1/1