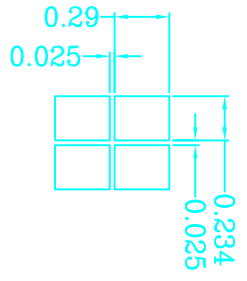
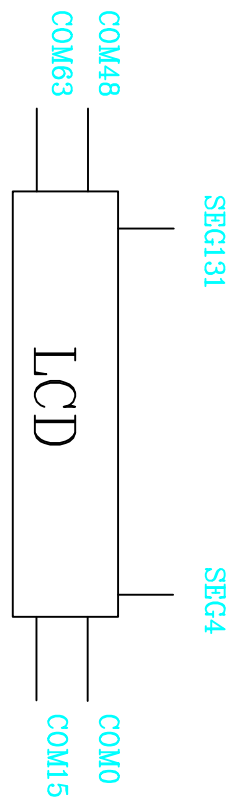
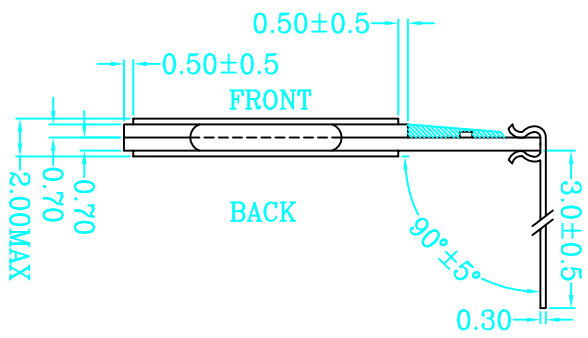
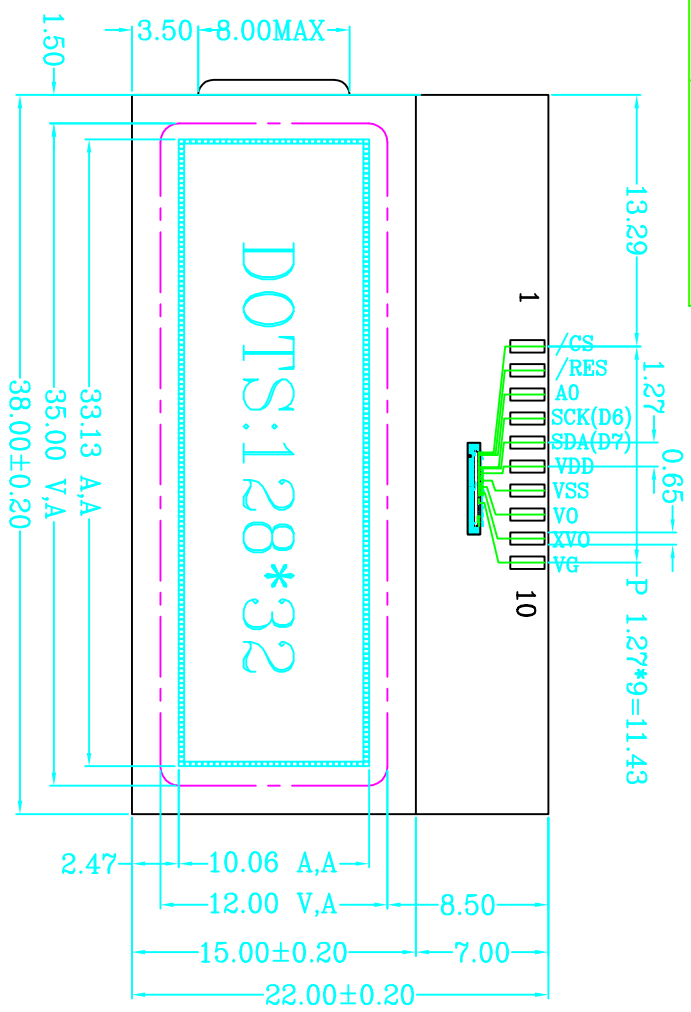


VER	DETAIL DESCRIPTION	DATE
△	The First Amendment	2016-08-31

客户确认签名 /
Customer signature



DOTS SIZE

- 1.DISPLAY TYPE: FSTN
- 2.OPERATING VOLTAGE: DC:3.3V,VLCD:5.0V
- 3.OPERATING TEMP: -20°C~70°C
- 4.STORAGE TEMP: -30°C~80°C
- 5.DRIVE METHOD: 1/33D,1/6B,
- 6.VIEWING DIRECTION: 6:00'CLOCK
- 7.POLARIZER MODE: TRANSPARENT,POSITIVE
- 8.DRIVER IC: ST7567
- 8.CONNECTOR: COG

PIN ASSIGNMENT:	
1	CSB
2	RST
3	A0
4	SCL
5	SDA
6	VDD
7	VSS
8	VO
9	XVO
10	VG

Example: 串口应用

Example: +3.0V

Example: C=1u/50V

WAYING WAYING (HONGKONG) SHARES LIMITED		DESIGN:	MODEL NUMBER:	UNITS:	MM
		CHECK:	WYM12832K11G	VERSION:	A
APPROVE:		SHEET:	1 OF 1		
Unspecified tolerances are ±0.3		DATE:	2016-08-31		