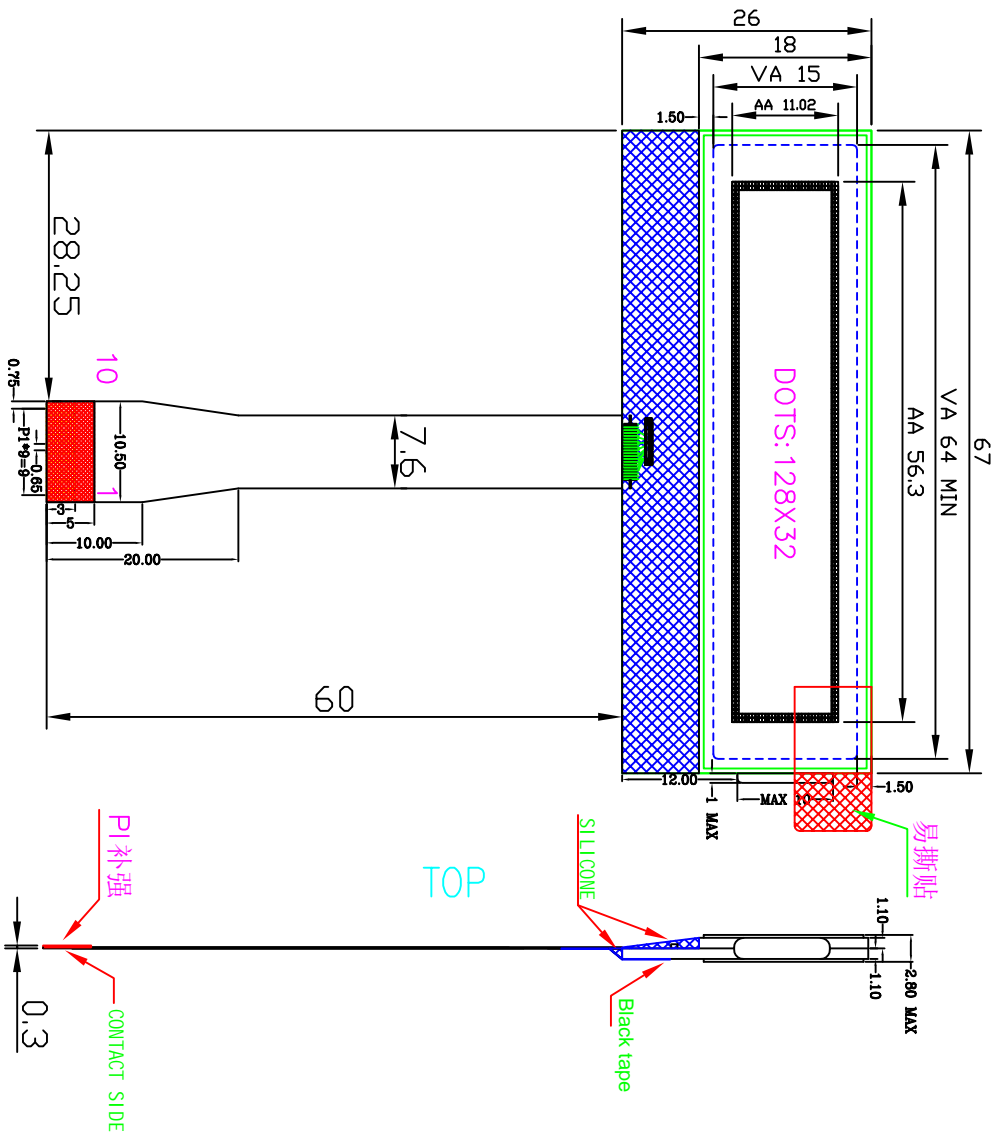
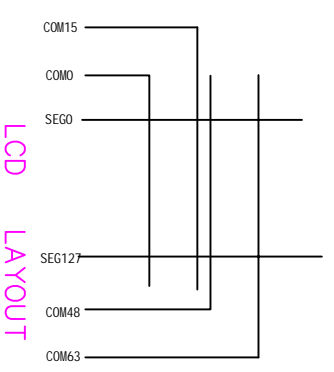
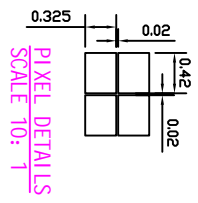


VER	DETAIL DESCRIPTION	DATE
Δ	The First Amendment	2016-08-06

客户确认签名/
Customer signature



PIN ASSIGNMENT:		Example: 串口应用	
1	CSB	P3.0	
2	RSTB	P3.1	
3	A0	P3.2	
4	SCL	P1.6	
5	SDA	P1.7	
6	VDD	+3.0V	
7	VSS		
8	V0		
9	XV0		C=10UF
10	VG		



- NOTES:
- 1.DISPLAY TYPE: FSTN
 - 2.VIEWING DIRECTION: 12:00
 - 3.POLARIZER MODE: TRANSPARENT/POSITIVE
 - 4.IC: ST7567
 - 5.OPERATING TEMP: -20°C~+70°C
 - 6.STORAGE TEMP: -30°C~+80°C
 - 7.Drive Method: 1/3duty 1/6bias
 - 8.LCD OPERATING VDLTAGE: VDD=2.8~3.3V, VLCD=5V

WYING (HONGKONG) SHARES LIMITED			
DESIGNER:	MODEL NUMBER:	UNIT:	MM
CHECK:	WYM12832K10G	VERSION:	A
APPROVE:		SHEET:	1 OF 1
Unspecified tolerances are ±0.3		DATE:	2016-08-06