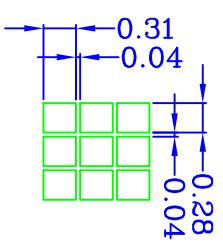
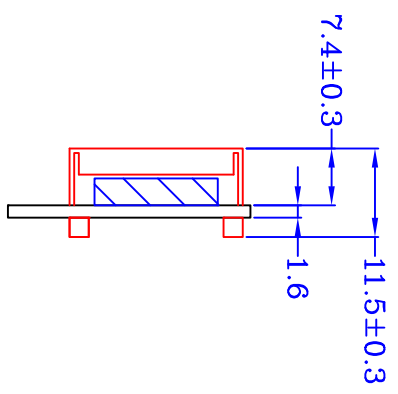
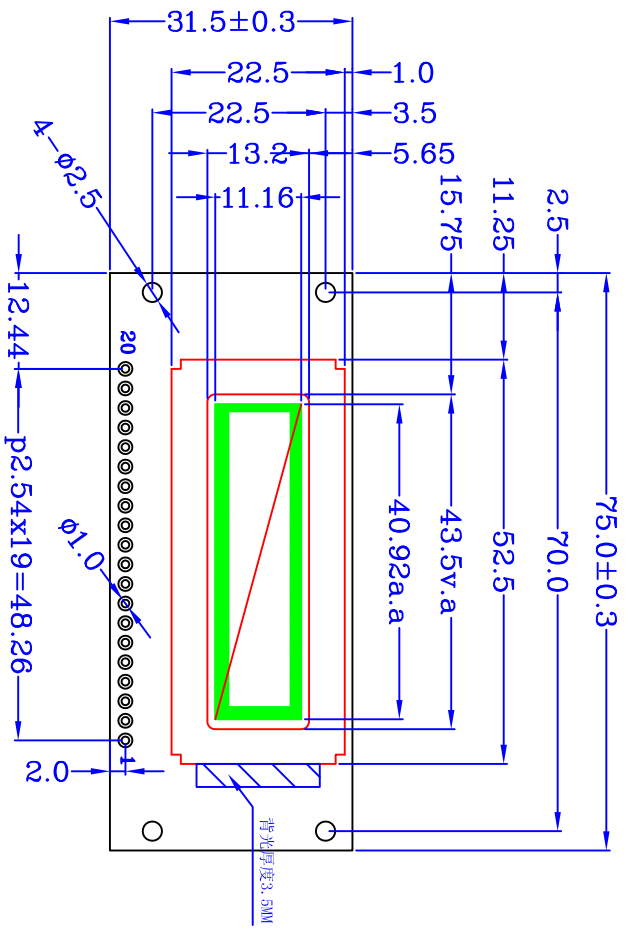


1	VSS	Power ground
2	VDD	Power supply (+5V)
3	A	Backlight +
4	R/W	H: Read; L: Write
5	CS2	Chip select for IC2
6	DB0	DATA BUS 0
7	DB1	DATA BUS 1
8	DB2	DATA BUS 2
9	DB3	DATA BUS 3
10	DB4	DATA BUS 4
11	DB5	DATA BUS 5
12	DB6	DATA BUS 6
13	DB7	DATA BUS 7
14	CS1	Chip select for IC1.
15	RST	Reset select
16	RS	Register select. H:DATA; L:INSTRUCTION
17	E	Enable signal
18	NC	
19	NC	
20	NC	



NOTES:

1. DISPLAY TYPE: STN, YELLOW-GREEN
2. POLARIZER TYPE: TRANSPARENT, POSITIVE
3. VIEW DIRECTION: 12:00
4. OPERATING TEMPERATURE: -20°C~+70°C
5. STORAGE TEMPERATURE: -30°C~+80°C
6. VDD: +5V
7. DRIVE METHOD: 1/32DUTY, 1/7BIAS
8. CONTROLLER: AIP31108
9. BACKLIGHT TYPE: YELLOW-GREEN, SIDE
10. BACKLIGHT SUPPLY VOLTAGE: +5.0V

		DESIGN:	MODEL NUMBER:	UNITS:	MM
		CHECK:	WYM12832E	VERSION:	A
APPROVE:			SHEET:	1 OF 1	
Unspecified tolerances are ±0.3			DATE:	2013-03-19	